

## DESCRIPTION

UHF colinear antennas for mobile service covering the full band of 368-490 MHz by cutting. The spring radiator is available in 17/7 PH stainless steel or black chromed with a nylon reinforce to get the maximum strength and flexibility. They can be supplied with "SL" mount for hole installation or magnetic mount for temporary fitting.

## SPECIFICATIONS

### Electrical Data

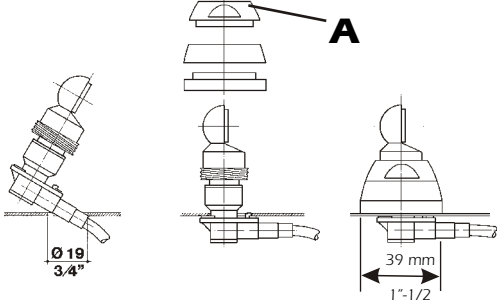
Type	: 1/4 + 1/2 colinear
Frequency Range	: from 368 to 490 MHz tunable by cutting
Impedance	: 50 Unbalanced
Radiation	: Omnidirectional
Polarization	: Vertical
Gain	: 3.5 dB ref. to a /4 whip
Bandwidth @ SWR 1.5	: 20 MHz @ 368 MHz
SWR @ res. freq.	: 1.2
Max Power	: 100 Watts
Feed System / Position	: Direct / Base
Standard Mount	: "SL" UHF, mounting hole 19 mm, cable 5m RG 58
Alternative Mount	: MAG H 12 S magnetic mount, cable 3.6m RG 58 w/ PL259-m

### Mechanical Data

Materials	: Stainless Steel, Nylon, Chromed Brass
Height (approx.)	: 745 mm
Weight (approx.)	: 420 gr

## MOUNTING INSTRUCTIONS

### "SL" Mount



### REMARK:

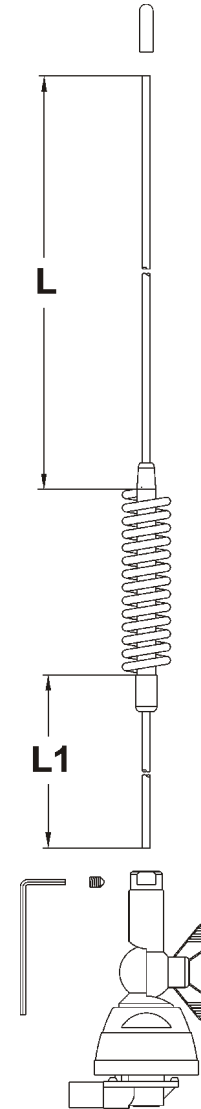
Be careful during installation do not use too much strength but tighten the metal ring **A** by means of the suitable tool.  
**TIGHTENING TORQUE: 4 Nm ± 10%**

### ATTENZIONE:

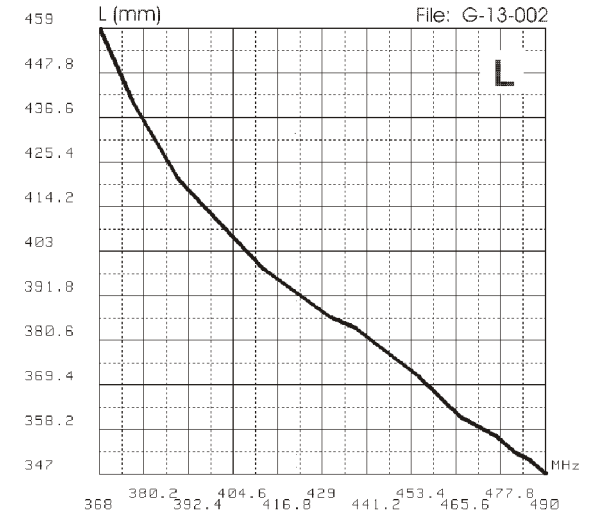
Porre attenzione durante l'installazione. Non serrare con troppa forza ma avvitare l'anello metallico **A** utilizzando la chiave adeguata. **COPPIA DI SERRAGGIO: 4 Nm ± 10%**

## TYPICAL TUNING DIAGRAMS

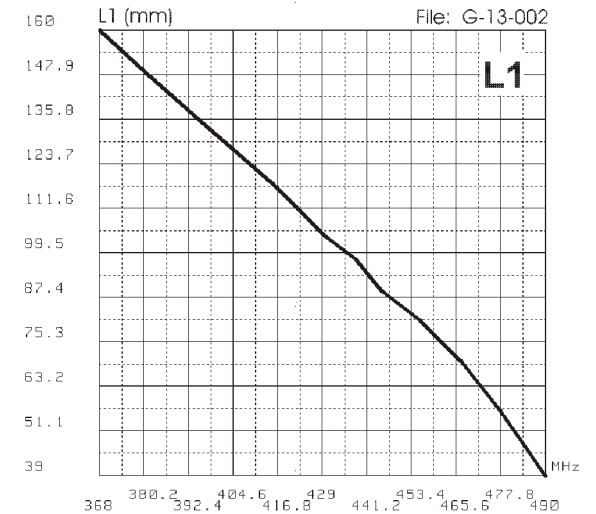
**ATTENTION:** cutting diagram valid **only** for **SL** mount



TYPICAL TUNING DIAGRAM vs FREQUENCY



TYPICAL TUNING DIAGRAM vs FREQUENCY

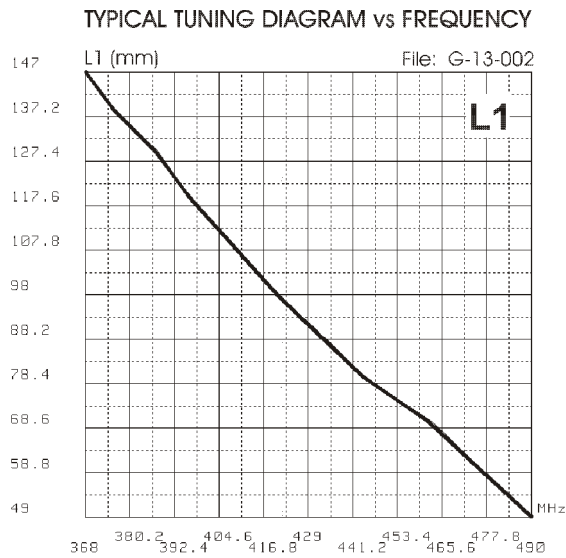
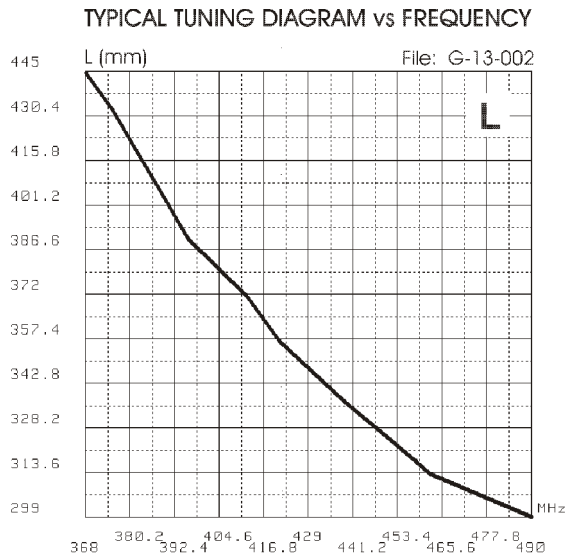
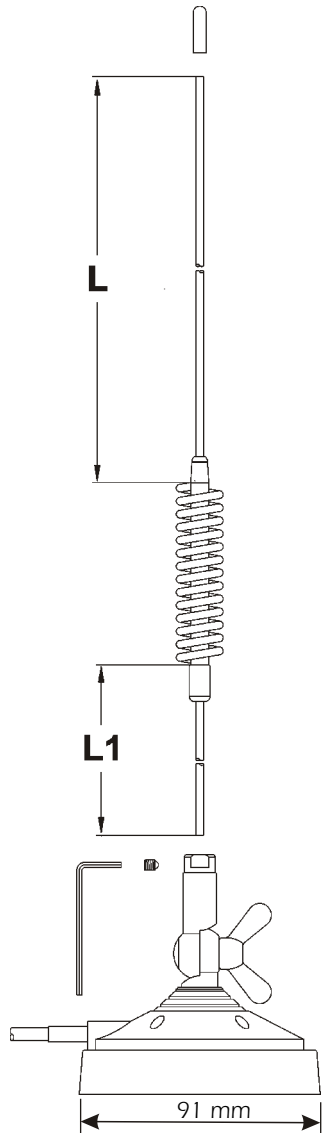


### NOTE:

- Use the curves just as a guide. For fine-tuning please use an SWR-Meter.

## TYPICAL TUNING DIAGRAMS

**ATTENTION:** cutting diagram valid **only** for **MAG H 12 mount**



**NOTE:**

- Use the curves just as a guide. For fine-tuning please use an SWR-Meter.

**SIRIO**<sup>®</sup>  
antenne HI-QUALITY ANTENNAS MADE IN ITALY

© Copyright SIRIO antenne - Technical Data are subjected to change - Printed in ITALY - Rev. 13/04/2006 - Cod. ID120

# SU 370-490

UHF Mobile Antenna 368-490 MHz



**SU 370-490**



**SU 370-490 Black**

*Installation Manual*